

# AmulFed Dairy

A UNIT OF GUJARAT CO-OPERATIVE MILK MARKETING FEDERATION LIMITED

(Previously Known as Mother Dairy, Gandhinagar)

## Request for Quotation (RFQ)

AFD: PUR: HSG: Cup Filling m/c

21 March, 2018

To,

Dear Sir,

Sub: **Request for Quotation (RFQ)** for "Rotary cup filling machine for lassi".

We invite your most competitive offer for rotary cup filling machine for lassi as per detailed specifications. Your offer should be based on following considerations:

1. The offer should reach:-AmulFed Dairy (A Unit Of GCMMF Ltd), Previously known as Mother Dairy, Plot No-35, Nr. Indira Bridge, Ahmedabad - Gandhinagar Highway. Village Bhat, Dist - Gandhinagar. Pin - 382 424.
2. Due Date: March **29, 2018 Before 17:00 hours**
3. The offer should be submitted in sealed cover super scribing on the top left hand corner offer for AFD: PUR: HSG: "Rotary cup filling machine for lassi". If it is not super scribed it can be liable for rejection.
4. Offer received after due date for whatsoever reason may be rejected. We will not be responsible for postal delays.
5. Offer should valid for acceptance for 45 days from date for submission of offer.
6. The price should be quoted with all details.
7. Specify your tax condition. Non indication of above levies will mean that prices are inclusive of all taxes and above levies.
8. Realistic and earliest completion period should be indicated in offer.
9. It will not be binding on us to accept the lowest offer.
10. Right to accept/reject any/all offers without assigning reason is reserved by us.
11. Offers which are incomplete or not meeting the conditions are liable for rejection.
12. Payment terms within 30 days. If the payment term is document through bank, all banking charges shall be borne by the suppliers.
13. **Herewith this we are attaching vendor registration form please fill it up & provide along with offer, without vendor form offer must not consider.**
14. Offer should be sent through post or courier not by fax or personally.
15. The price should be quoted on F.O.R. basis inclusive of P&F, taxes and duties, freight etc. However if it is separate, it should be clearly mentioned in the quotation.
16. It should cover a warranty of at least one-year against manufacturing defect.
17. No queries regarding the status of the offer will be entertained at any time.
18. All the bidders have to visit site for better understanding of requirements.

# AmulFed Dairy

A UNIT OF GUJARAT CO-OPERATIVE MILK MARKETING FEDERATION LIMITED

(Previously Known as Mother Dairy, Gandhinagar)

19. All the bidders have to submit the detailed GA drawing with bid.

We are an ISO 9001: 2008, ISO 14001:2004 and ISO 22000:2005 company; we follow sustainable eco-friendly processes in our organization and expect the same to be followed at your end.

Note: Please visit AmulFed Dairy, Gandhinagar with prior appointment to understand our requirement.

Mail id as mentioned below.

Shri Hardik Gajjar : [hardik.gajjar@amul.coop](mailto:hardik.gajjar@amul.coop)

Shri Sunil Sharma : [sunil@amul.coop](mailto:sunil@amul.coop)

Shri Shailesh Modi : [shailesh.modi@amul.coop](mailto:shailesh.modi@amul.coop)

Yours Faithfully,

For AmulFed Dairy,

Purchase Depart.

# AmulFed Dairy

A UNIT OF GUJARAT CO-OPERATIVE MILK MARKETING FEDERATION LIMITED

(Previously Known as Mother Dairy, Gandhinagar)

## Technical Specification of rotary machine

Description	AFD specifications
Cup speed	2500-4000 cup/hr
No. of nozzle	2 or to match the required speed
Filling Quantity	85 ml, 100 ml & 200ml
Filling control	By gravity or servo
Filling accuracy	+/- 0.5% for 200ml
Sensor	P& F or Omron
HMI	Allen Bradley
PLC	Allen Bradley
Temperature Controller	Selectron
Sealing	Temperature controlled continuous sealing
Cup Regulation system	Pneumatic operated cup regulation system with vacuum draw
Indexer	change part which in contact must be SS
Lid placement	Pneumatically controlled lid regulation system with vacuum holding
Cup ejection	Pneumatically operated cup ejection system.
Cup discharge	Pneumatically operated dragger system
Rotary table indexing system	Cam indexing system with Bonfiglioli geared motor to have 6 indexing per revolution
Electric Supply	3 phase-Neutral
Electric load	As Minimum Possible
Air pressure	Will provide 6 Bar
UV sterilization	Required
Air Jet Cleaning	Required
Control Panel	PLC based circuit with HMI for complete operation and Regulation of function, Separate Control Panel SS-304
Pneumatic parts	Festo
Gear Box and motor	Bonfiglioli
Electric switch gear	L&T, Siemens
Vacuum generation system	Pneumatic
CIP system	Close loop with water recovery system
No Cup ,No Fill	Required
No Cup, No Lid	Required
No Cup, No Seal	Required
No Lid, No Seal	Required
No Ejection machine stop	Required
Low air pressure	No start or machine stop
Low sealing temperature	No start
Low product level	Machine stop

Plot No. 35, Nr. Indira Bridge, Ahmedabad-Gandhinagar Highway, Village: Bhat, Dist.:Gandhinagar, PIN 382428

Tel. No. (+91-79) 23969055 – 58, Fax No. (+91-79) 23969059

Website: [www.amul.com](http://www.amul.com)

# AmulFed Dairy

A UNIT OF GUJARAT CO-OPERATIVE MILK MARKETING FEDERATION LIMITED

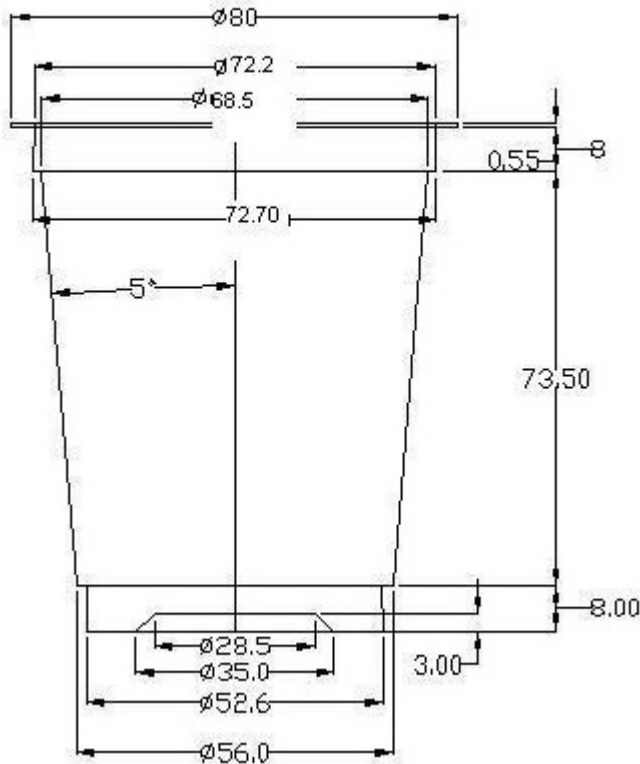
(Previously Known as Mother Dairy, Gandhinagar)

All Filling area	Required Covered up to sealing
Conveyor	Required with "V" rib
Safety Guard	Covers for gear box/motor and other moving parts
Gear Box Position	Vertical Mounting (Motor on Top)
Balance tank	Seamless
Machine Design	Sanitary type
All food products area	As per FSSC (Certificate Required)
Body part	SS304 AND CONTACT PART SS316
Remarks	Weight variation trial with 1000 cups

Please quote separately for buy back of existing machine.

Drawing of the cup is attached for your ready reference.

## 200ml Prolife Lassee Glass



# AmulFed Dairy

A UNIT OF GUJARAT CO-OPERATIVE MILK MARKETING FEDERATION LIMITED

(Previously Known as Mother Dairy, Gandhinagar)

## VENDOR REGISTRATION FORM (FOR AUTHORIZED DISTRIBUTORS/DEALERS/STOCKISTS/TRADERS/SERVICE PROVIDERS)

- (1) Category of item/Service for  
Which registration is sought :
- (2) Name Of Firm :
- (3) Add. Of Register Office :
- Phone No. & Fax No. :
- e-mail :
- (4) Name Of Contact Person (A'bad/Gujarat) :
- Status of Firm (outside Gujarat, if any)
- (5) In case of Partnership firm, :
- (a)
- (b)
- (c)
- (6) If Proprietary Concern Name & :  
Address of proprietary
- (7) If Private/Public Limited Co. (Memorandum Of Association to be enclosed)
- (8) Year of establishment of firm :
- (9) Category of items to be handled by you and their details
- | Item Catg. | Size | Make | Manufacturer | Nature Of Agency |
|------------|------|------|--------------|------------------|
|------------|------|------|--------------|------------------|
- (Enclose copy of Dealership/Agency approval letter of manufacturer)
- (10) Name and address of the dealer/depot from where you get delivery of item offered to us.
- (11) Please enclose details of manufacturer for the products offered to us.
- (12) Central Sales Tax No.
- (13) If excise applicable, current excise duty and details
- (14) Applicable CST/ST rate
- GST no.
- (15) Last 03years sales (business) of your firm (Average in Rs. Lacs)
- 2016-17
- 2015-16
- 2014-15

# AmulFed Dairy

A UNIT OF GUJARAT CO-OPERATIVE MILK MARKETING FEDERATION LIMITED

(Previously Known as Mother Dairy, Gandhinagar)

- (16) List of leading buyers from you for the products (services) offered to us.
- (17) Item category Name and address of buyer Annual business (Rs. Lacs)
- (18) Name Of Bankers
- (19) IT clearance certificate no. and date (Photocopy to be enclosed)
- (20) Latest Annual Report / Auditors' certificate
- (21) In case your are/were a supplier/service provider to co-op. Dairies in Gujarat, please mention  
(If then attach purchase order copy with form)
- (a) Name of Dairy  
(b) Item Supplied  
(c) Quantities supplied per year
- (22) If the business is discontinued with any of them reasons:
- (23) Whether any of your relatives is working with us or with our member dairies, if so, details
- (24) Any other information you would like to furnish to us

## **DECLARATION**

THE ABOVE IS TRUE IN ALL RESPECTS AND WE UNDER TAKE TO INFORM YOU IF ANY CHANGE IN THE ABOVE PARTICULARS REGARDING OUR BUSINESS FROM TIME TO TIME

PLACE : \_\_\_\_\_ SIGNATURE OF AUTHORISED REPRESENTATIVE  
OF THE FIRM UNDER PROPER SEAL

DATE : \_\_\_\_\_

---

## FOR OFFICE USE

VENDOR REGISTRATION NO. \_\_\_\_\_ DATE \_\_\_\_\_

CATEGORY \_\_\_\_\_

VENDOR NO. \_\_\_\_\_

INFORMATION RECEIVED \_\_\_\_\_ RECOMMENDED \_\_\_\_\_ APPROVED \_\_\_\_\_

COMPLETELY SATISFACTORY

PURCHASE EXECUTIVE \_\_\_\_\_ MANAGER PURCHASE \_\_\_\_\_ GM \_\_\_\_\_

Attachments: PAN card, GST Acknowledgement copy and as mentioned as above.